
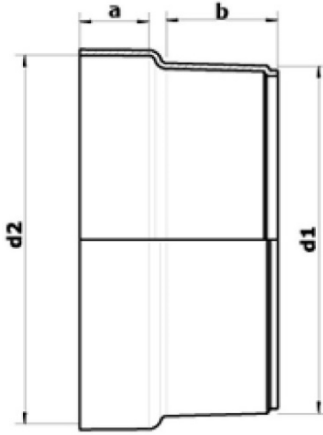


Riduzione concentrica - CODICI VMW16125 / VMW16150 / VMW16180						
		VMW16	150/125	180/125	180/150	
		d <sub>2</sub> [mm]	180	210	210	
		d <sub>1</sub> [mm]	125	125	150	
		a [mm]	50	60	60	
		b [mm]	54	54	54	
		VMW16	200/180	160/150		
		d <sub>2</sub> [mm]	200	160		
		d <sub>1</sub> [mm]	180	150		
		a [mm]	33	33		
b [mm]	64	54				